



## The secure way to handle unstable palletized loads.

### APPLICATIONS

Designed for transporting unstable loads such as soft drinks, malted beverages, bottled water and empty containers, Load Stabilizers allow faster operating speeds and more efficient handling procedures by securing the palletized load. They are particularly valuable in outdoor operations and facilities with rough floors. E-Series Load Stabilizers have a net capacity of 3,500 lbs. and are available with a wide range of pad sizes, arm configurations and backrest styles.

### FEATURES

- Excellent driver visibility
- Narrow frame width
- Frame fits between forks
- Thin arm pad profile
- Highly competitive rating specifications
- Internal relief valve
- Carriage compatibility

### MODELS

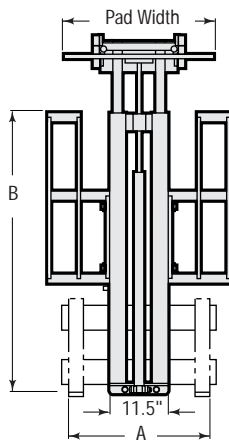
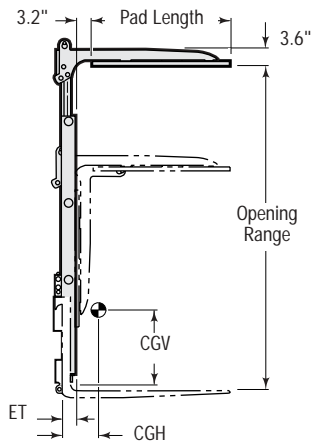
- Standard
- Bottled Water

*All-purpose attachments for securing unstable loads for transportation.*

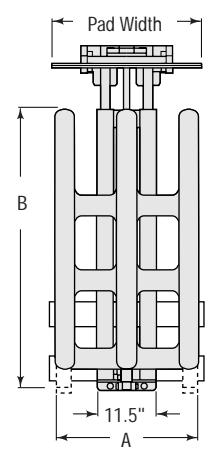
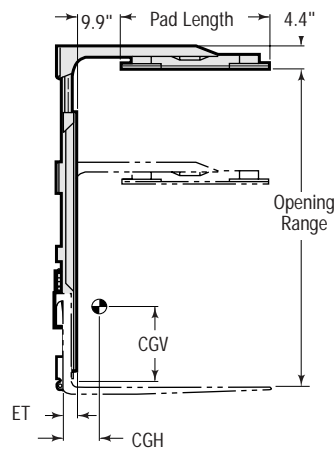


# LOAD STABILIZERS

## Load Stabilizer



## Bottled Water Load Stabilizer



Capacity @ <sup>①</sup> Load Center	Opening Range	Type	Pad Size (W x L)	Catalog Order No.	Mounting Class	Backrest Size A x B	Weight (Lbs./kg.)	Effective Thickness ET	Horizontal Center of Gravity CGH	Vertical Center of Gravity <sup>③</sup> CGV
lbs. @ inches (kg @ mm)							lbs. (kg)			
<b>Load Stabilizer</b>										
3,500 @ 24" (1,600 @ 610)	45"-84"	Non-Sideshifting	30" x 30"	35E-LSB-A001	II	37" x 58"	435 (200)	2.5"	5.0"	32.6"
3,500 @ 24" (1,600 @ 610)	45"-84"	Non-Sideshifting	30" x 36"	35E-LSB-A003	II	37" x 58"	450 (205)	2.5"	6.0"	33.0"
3,500 @ 24" (1,600 @ 610)	45"-84"	Non-Sideshifting	36" x 36"	35E-LSB-A004	II	37" x 58"	460 (210)	2.5"	6.5"	33.3"
3,500 @ 24" (1,600 @ 610)	45"-84"	Sideshifting <sup>②</sup>	30" x 30"	35E-LSS-A001	II	37" x 58"	600 (270)	4.9"	5.4"	26.1"
3,500 @ 24" (1,600 @ 610)	45"-84"	Sideshifting <sup>②</sup>	30" x 36"	35E-LSS-A003	II	37" x 58"	615 (280)	4.9"	6.1"	26.5"
3,500 @ 24" (1,600 @ 610)	45"-84"	Sideshifting <sup>②</sup>	36" x 36"	35E-LSS-A004	II	37" x 58"	625 (285)	4.9"	6.5"	27.0"
<b>Bottled Water Load Stabilizer</b>										
3,500 @ 24" (1,600 @ 610)	42"-65"	Non-Sideshifting	30" x 30"	35E-LBB-A401	II	29" x 56"	500 (230)	3.0"	7.4"	32.6"
3,500 @ 24" (1,600 @ 610)	42"-65"	Sideshifting <sup>②</sup>	30" x 30"	35E-LBS-A401	II	29" x 56"	665 (300)	5.4"	7.4"	26.8"

- ① Load Stabilizers are not load carrying attachments. Capacity ratings are determined by subtracting the maximum clamp force of 2,000 lbs. from the fork capacity.
- ② Sideshifting units include a Cascade 55F Sideshifter. The Load Stabilizer is not mounted to allow installation of the truck forks.
- ③ Vertical center of gravity in retracted position.
- ▶ Forks are not included with Load Stabilizers.

### OPTIONS

- Fold-Down Arm
- Quick-Disconnect Arm
- Additional opening ranges and pad sizes
- Solenoid adaption groups
- Class III mounting

### INSTALLATION KIT

Model	Catalog Order No.
LSB, LBB	202127
LSS, LBS	202126

### HYDRAULIC FLOW AND PRESSURE

Minimum	Recommended	Maximum	Max. Pressure
5 GPM	8 GPM	10 GPM	2,300 PSI (159 bar)

### HYDRAULIC FUNCTIONS

Model	Hydraulic Functions	Truck Auxiliary Valves Required
Non-Sideshifting	1	1
Sideshifting	2	2

### MOUNTING CLASS INFORMATION

Mounting Class	Truck Capacity
II	2,000-5,500 lbs.