



A versatile attachment for agriculture and food processing.

APPLICATIONS

Designed to provide the agricultural, food processing, and manufacturing markets an efficient and economical means of handling and dumping bins. Can easily accommodate various bin heights by manually adjusting the top bin stops.

MODELS

- 46 inch wide
- 48 inch wide
- 60 inch wide
- 72 inch wide

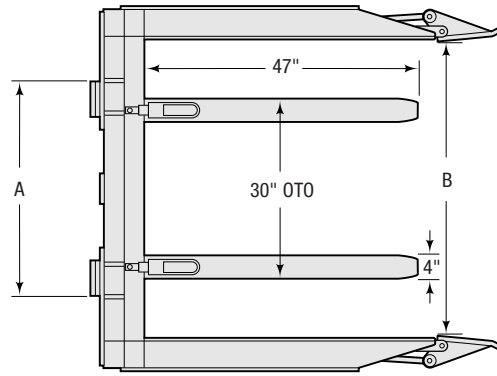
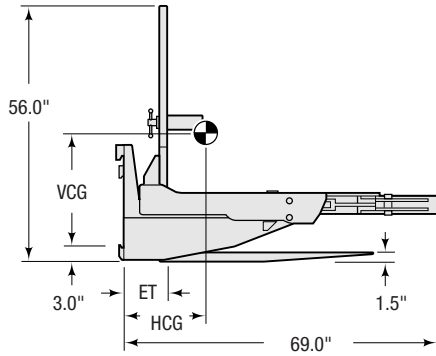
FEATURES

- Heavy duty construction
- Fast, smooth, forward dumping motion
- Unsurpassed visibility
- Proven Cascade quality
- 135° forward tilt
- Adjustable bin heights
- Simplified hydraulics
- Common Cascade parts available worldwide
- Low effective thickness resulting in increased net truck capacity

Built for fast, efficient, and productive handling of agricultural and other bins.



FORWARD BIN DUMPER



Capacity Lbs. @ 24" (600 mm) Load Center		Catalog Order No.	Mounting Class	Weight		Minimum Truck Carriage Width A	Effective Thickness ET	Horizontal Center of Gravity HCG	Vertical Center of Gravity CGV	Bin Dimensions	Inside of Arms B
lbs	kg			lbs	kg						
4,000	1,815	40D-FBB-46A	II	1,390	631	36	9.5"	14"	7"	46D x 46W x 24-48H	48.25"
4,000	1,815	40D-FBB-46B	III	1,390	631	36	9.5"	14"	7"	46D x 46W x 24-48H	48.25"
4,000	1,815	40D-FBB-48A	II	1,390	631	36	9.5"	14"	7"	48D x 48W x 24-48H	50.25"
4,000	1,815	40D-FBB-48B	III	1,390	631	36	9.5"	14"	7"	48D x 48W x 24-48H	50.25"
4,000	1,815	40D-FBB-60A	II	1,480	672	42	9.5"	14"	7"	48D x 60W x 24-48H	62.25"
4,000	1,815	40D-FBB-60B	III	1,480	672	42	9.5"	14"	7"	48D x 60W x 24-48H	62.25"
4,000	1,815	40D-FBB-72A	II	1,570	713	42	9.5"	14"	7"	48D x 72W x 24-48H	74.25"
4,000	1,815	40D-FBB-72B	III	1,570	713	42	9.5"	14"	7"	48D x 72W x 24-48H	74.25"

- ▶ Bolt-On mounting is standard on Forward Bin Dumpers. Quick-disconnect mounting is available at no charge.
- ▶ Larger capacities are available for Forward Bin Dumpers.

Options

- Quick-Disconnect mounting
- Class II or Class III mounting
- Custom bin dimensions
- Extended capacities
- Sideshifting

INSTALLATION KIT

Catalog Order No.
659245

HYDRAULIC FLOW AND PRESSURE

Minimum	Recommended	Maximum	Maximum Pressure PSI
5 GPM	7.5 GPM	10 GPM	2,300

HYDRAULIC FUNCTIONS

Hydraulic Functions	Truck Auxiliary Valves Required
1	1

MOUNTING CLASS INFORMATION

Mounting Class	Truck Capacity
II	2,000-5,500 lbs.
III	6,000-10,000 lbs.